

1. 1450 X 200 X 22 \Rightarrow 6 Pcs oak + oak

2. 1450 X 212 X 22 \Rightarrow 6 Pcs oak + oak

3. 1400 X 50 X 10 \Rightarrow 12 Pcs Austine wood

4. 172 X 30 X 10 \Rightarrow 12 Pcs // "

QTY : 6

...PictureWhatsApp Image 2023-10-25 at 15.05.42_2000228.jpg

www.wood-styles.com

Copyright of designs shown herein is retained by this office. Authority is required for any reproduction. © Copyright Wood-styles Ltd.

Nigeria, Lagos +234 80 9037 9888
Email: info@wood-styles.com

Project
Hyatt Regency Hotel
NG-Lagos-Ikeja

Owner

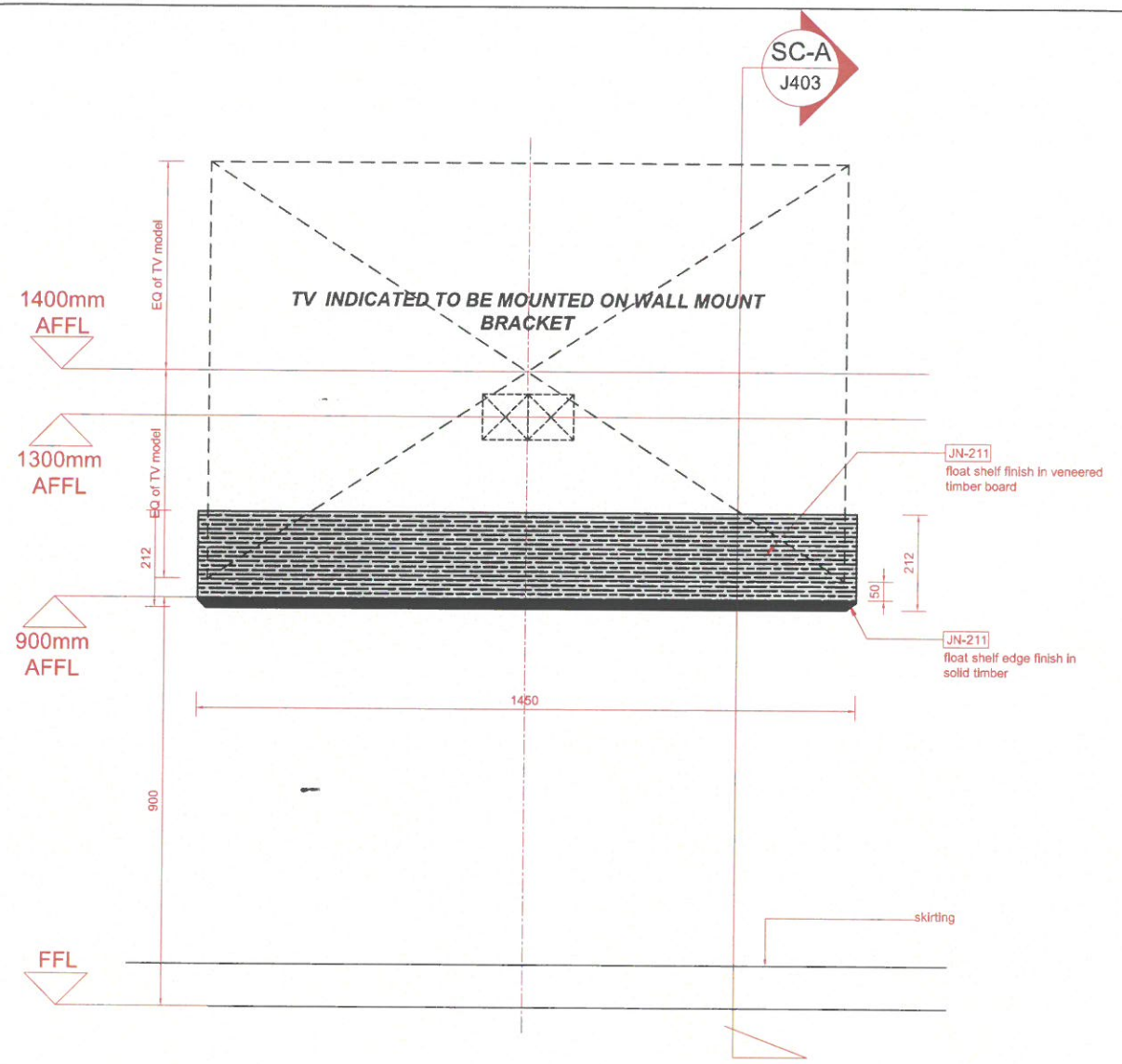
Date	Description
02- Nov - 2023	A FOR APPROVAL
16- Nov - 2023	B FOR APPROVAL

For Approval

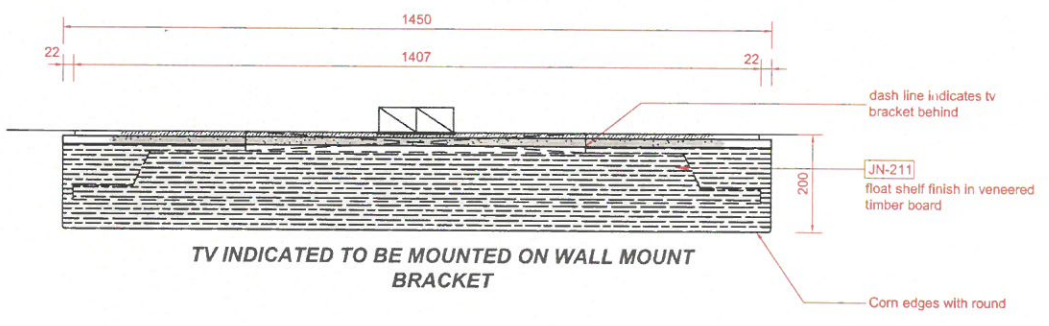
Project No. : P23-020
Scale : A3 = 1 : 20
Drawn by : Dami
Checked : Kinan
Cad File : CAD File

Sheet title
Junior suites - TV Ledge
Shop Drawing
Typical Floor 1-5

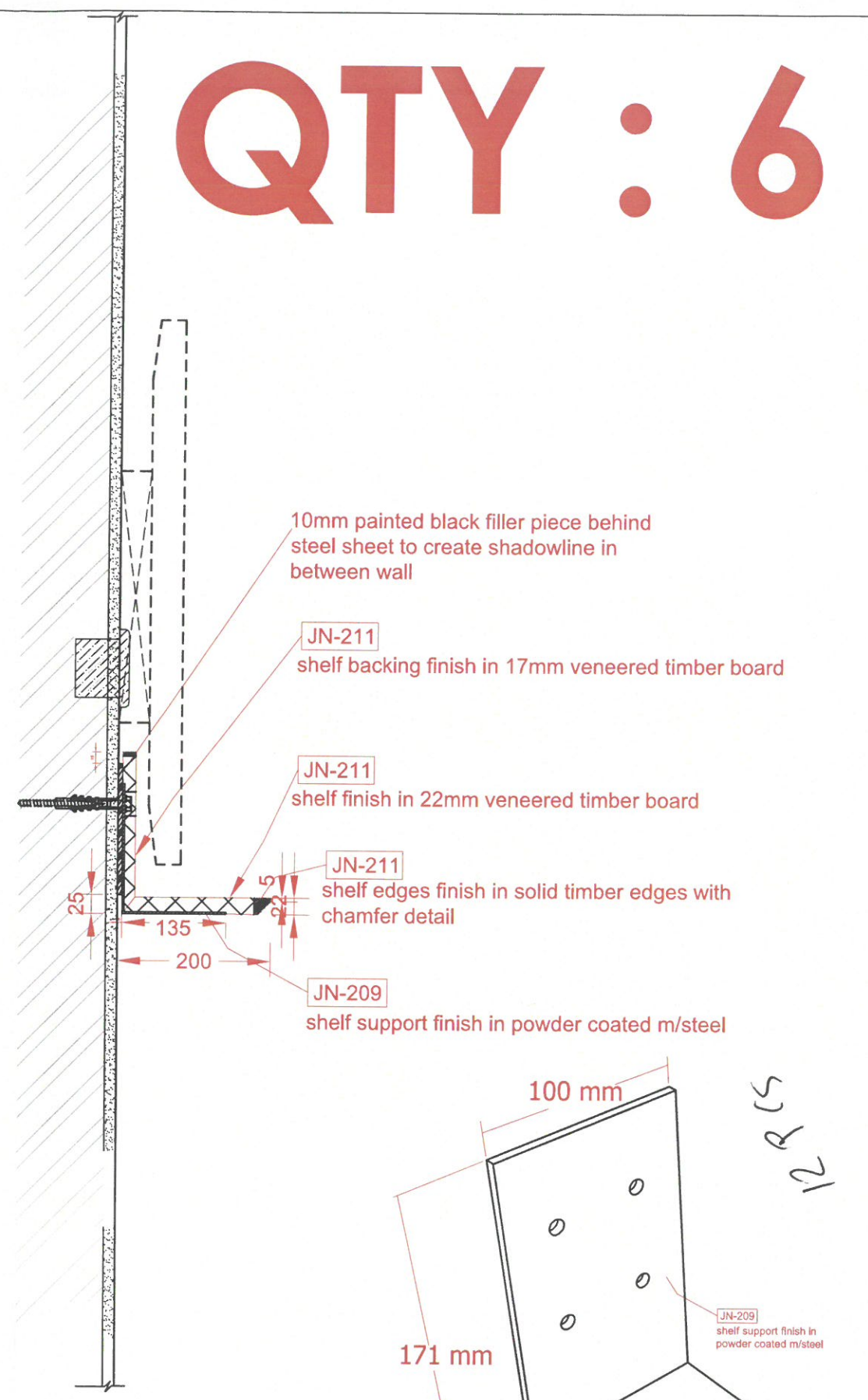
Dwg No. J403 No. B



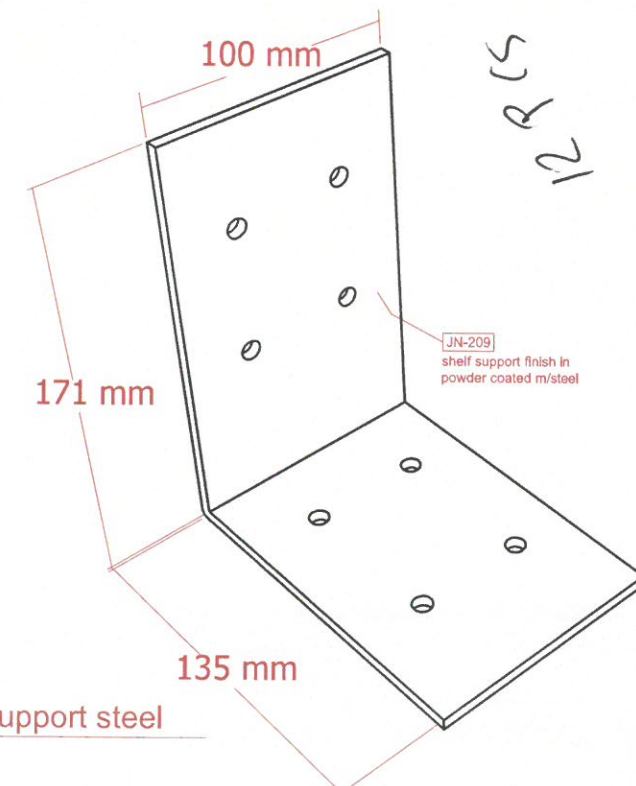
A Front view
J403



PV Plan view
J403



SC-A Section A
J403



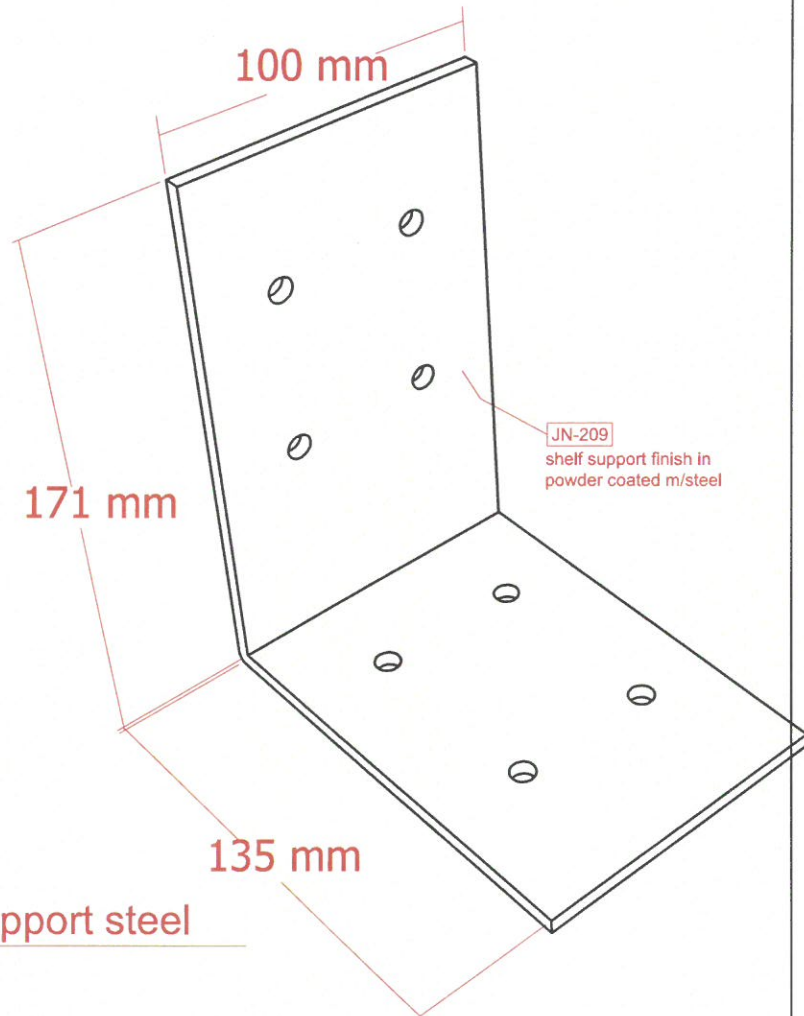
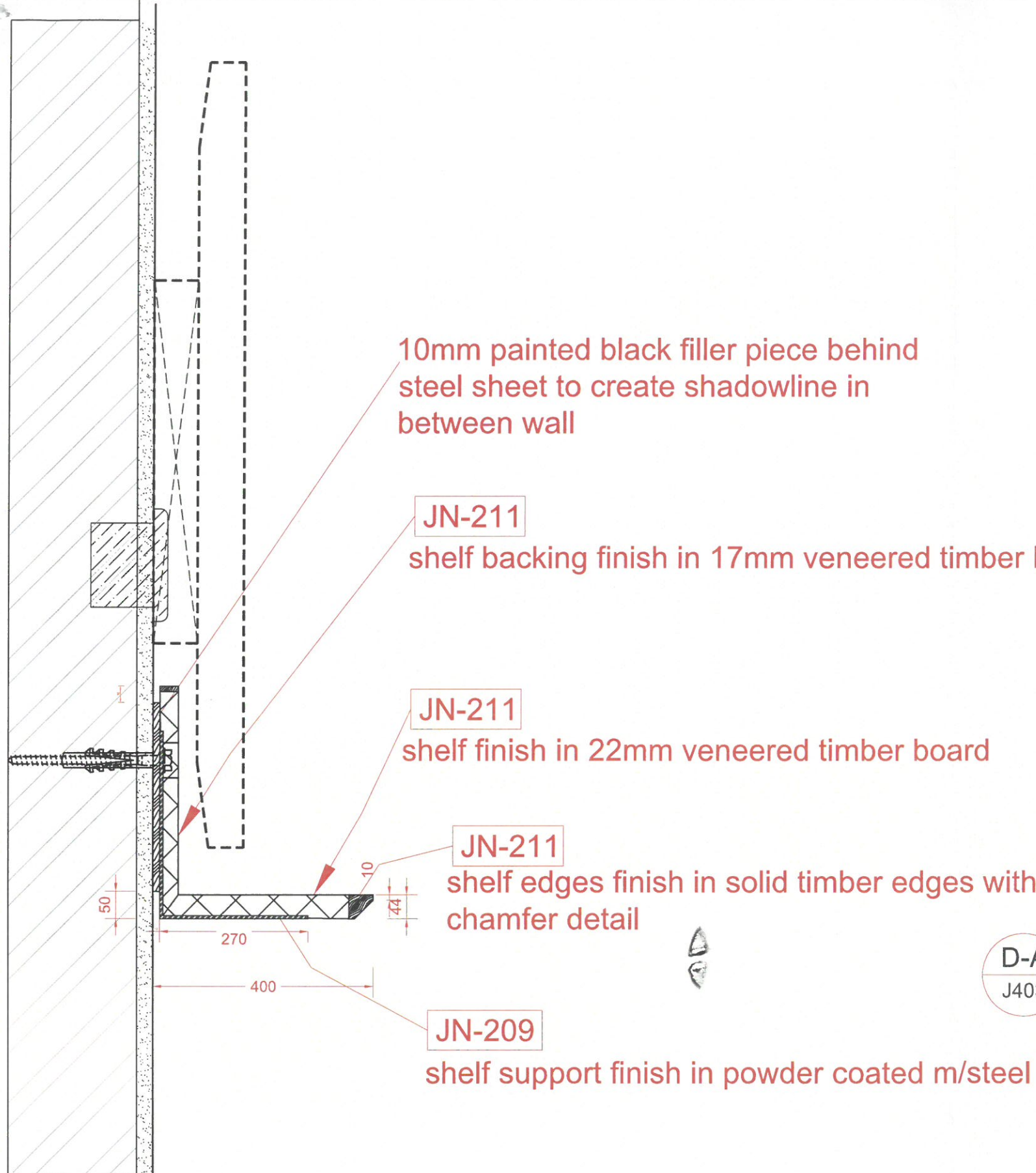
D-A Shelf support steel
J403

The entrance floating shelf is not in our scope of work

Project
Hyatt Regency Hotel
NG-Lagos-Ikeja

Owner

Date	Description
02- Nov - 2023	A FOR APPROVAL
16- Nov - 2023	B FOR APPROVAL



D-A Shelf support steel
J403

SC-A Section A
J403

For Approval

Project No. : P23-020
Scale : A3 = 1 : 20
Drawn by : Dami
Checked : Kinan
Cad File : CAD File

Sheet title
Junior suites - TV Ledge
Shop Drawing
Typical Floor 1-5

Dwg No. J403 No. B